



Features:

- Intel® Elkhart Lake™ 11th Celeron® J6412
- Industrial display, multi-point capacitive touch screen
- 1*DDR4 SO-DIMM memory slot, supporting up to 32GB
- 4*USB3.0, 4*RS232(One of them RS232/422/485 optional, default RS232)
- 1*HD、 1*VGA(Internal pin)
- 2*Intel® Gigabit network card, among which LAN1 supports network wake-up
- Fanless design
- Panel protection level can reach IP65

Specifications:

System Hardware

| | | | |
|--------|---|---------|--|
| CPU | Intel® Elkhart Lake™ 11th Celeron® J6412 | Storage | 1*M.2 2280 SLOT (SATA/Nvme (PCIe X1) interface type automatic recognition) |
| Memory | 1*DDR4 SO-DIMM memory slot, supporting up to 32GB | | 1*SATA HDD (7pin), supporting 12V/5V power supply |

Display

| | | | |
|-----------------|-------------------------|----------------|-----------------------|
| LCD Type | 12" LCD | Luminance | 400 cd/m ² |
| Touchscreen | Capacitive touch screen | Contrast Ratio | 1000: 1 |
| Max. Resolution | 1280*800 | | |

OS

| | |
|----|---------------------|
| OS | Windows10/11、 Linux |
|----|---------------------|

I/O Ports

| | | | |
|-----|---|-----------|--|
| USB | 4*USB3.0 (4*USB2.0 built-in) (USB3.0-3、 4 support 1.5A, 1、 2 support 0.9A) | Audio | 1*4-section 3.5mm Audio Jack (supports headphone audio output and microphone audio input); 1*Horn 8 ohms 3 watts |
| COM | COM1:1*RS232/422/485 jump cap optional (default RS232), supports 5V/12V/RI # optional; COM2/3/4: 1 out 3 serial port cables 1 out 1*RS232 and 2*RS485, or 1 out 3 serial port cables 2 out 3*RS232/485 jump cap options (default RS232); 2*RS232 built-in(need to customize export) | Video | 1*HD, 1*VGA pins can be customized for export |
| | | DC Port | Phoenix terminal 3pin |
| | | Mini PCIe | 1*Mini PCIe(WiFi+BT/4G/5G Optional, One out of three) |
| | | SIM Card | 1*Built-in SIM card holder |
| LAN | 2*1000M LAN port | GPIO | NA |

Power

Power 10-32V wide voltage input, standard with 12V/5A adapter

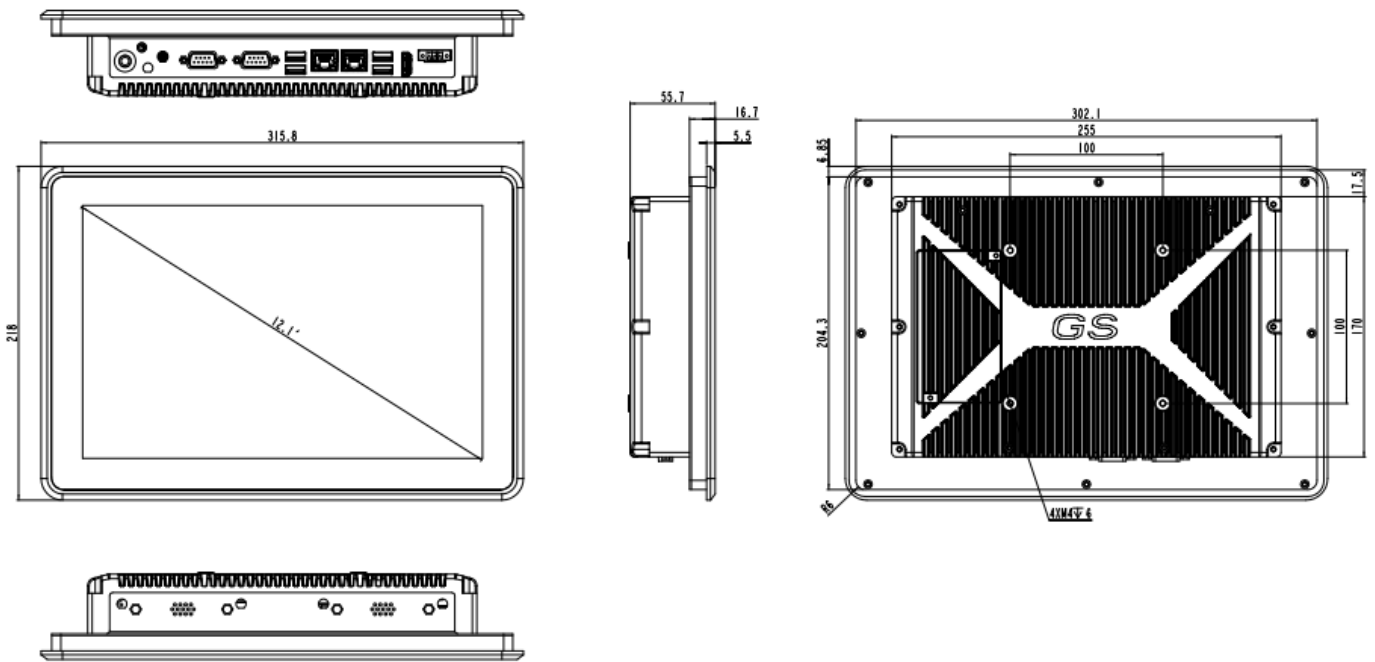
Environment

| | | | |
|----------------------|--|-----------------|--|
| Vibration Protection | 5-17Hz/1.0mm amplitude; 17-200Hz/1.0g acceleration | Operating Temp. | -10°C~55°C (wide temperature optional) |
| Shock Protection | 10g acceleration, 11ms cycle | Storage Temp. | -30°C~70°C (wide temperature optional) |
| IP Rating | Front panel IP65 | Humidity | 95% @40°C, non-condensing |

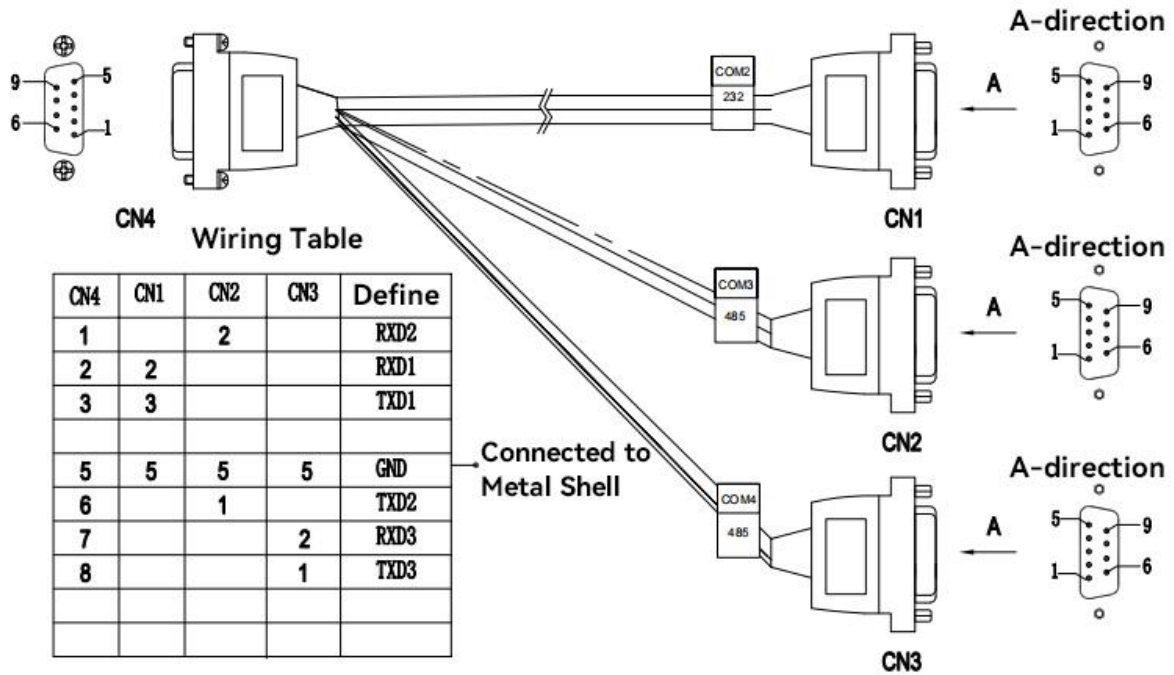
Mechanical

| | | | |
|-------------------|------------------|----------|--------------------------------------|
| Dimension (WxHxD) | 315.8*218*55.7mm | Material | Aluminum alloy |
| Weight | 2.8Kg | Mounting | VESA mounting: 100*100mm |
| Color | Silver | | Embedded installation: 302.1*204.3mm |

Dimensions:



COM2/COM3/COM4 (accessory: 1 out 3 serial port cable 1, part number 2.308.00140) is defined as follows: (COM1 is the standard definition, omitted)



COM2/COM3/COM4 (accessory: 1 out 3 serial port cable 2, part number 2.308.00104) is defined as follows: (COM1 is the standard definition, omitted)

