



Features:

- Intel® Elkhart Lake™ 11th Celeron® J6412
- Industrial display, multi-point capacitive touch screen
- 1*DDR4 SO-DIMM memory slot, supporting up to 32GB
- 4*USB3.0, 4*RS232(One of them RS232/422/485 optional, default RS232)
- 1*HD、1*VGA(Internal pin)
- 2*Intel® Gigabit network card, among which LAN1 supports network wake-up
- Fanless design
- Panel protection level can reach IP65

Specifications:

System Hardware

CPU	Intel® Elkhart Lake™ 11th Celeron® J6412	Storage	1*M.2 2280 SLOT (SATA/Nvme (PCIe X1) interface type automatic recognition)
Memory	1*DDR4 SO-DIMM memory slot, supporting up to 32GB		1*SATA HDD (7pin), supporting 12V/5V power supply

Display

LCD Type	21.5" LCD	Luminance	250 cd/m ²
Touchscreen	Capacitive touch screen	Contrast Ratio	1000: 1
Max. Resolution	1920*1080		

OS

OS	Windows10/11、Linux
----	--------------------

I/O Ports

USB	4*USB3.0 (4*USB2.0 built-in) (USB3.0-3, 4 support 1.5A, 1, 2 support 0.9A)	Audio	1*4-section 3.5mm Audio Jack (supports headphone audio output and microphone audio input); 1*Horn 8 ohms 3 watts
COM	COM1:1*RS232/422/485 jump cap optional (default RS232), supports 5V/12V/RI # optional; COM2/3/4: 1 out 3 serial port cables 1 out 1*RS232 and 2*RS485, or 1 out 3 serial port cables 2 out 3*RS232/485 jump cap options (default RS232); 2*RS232 built-in(need to customize export)	Video	1*HD, 1*VGA pins can be customized for export
LAN	2*1000M LAN port	DC Port	Phoenix terminal 3pin
		Mini PCIe	1*Mini PCIe(WiFi+BT/4G/5G Optional, One out of three)
		SIM Card	1*Built-in SIM card holder
		GPIO	NA

Power

Power 10-32V wide voltage input, standard with 12V/5A adapter

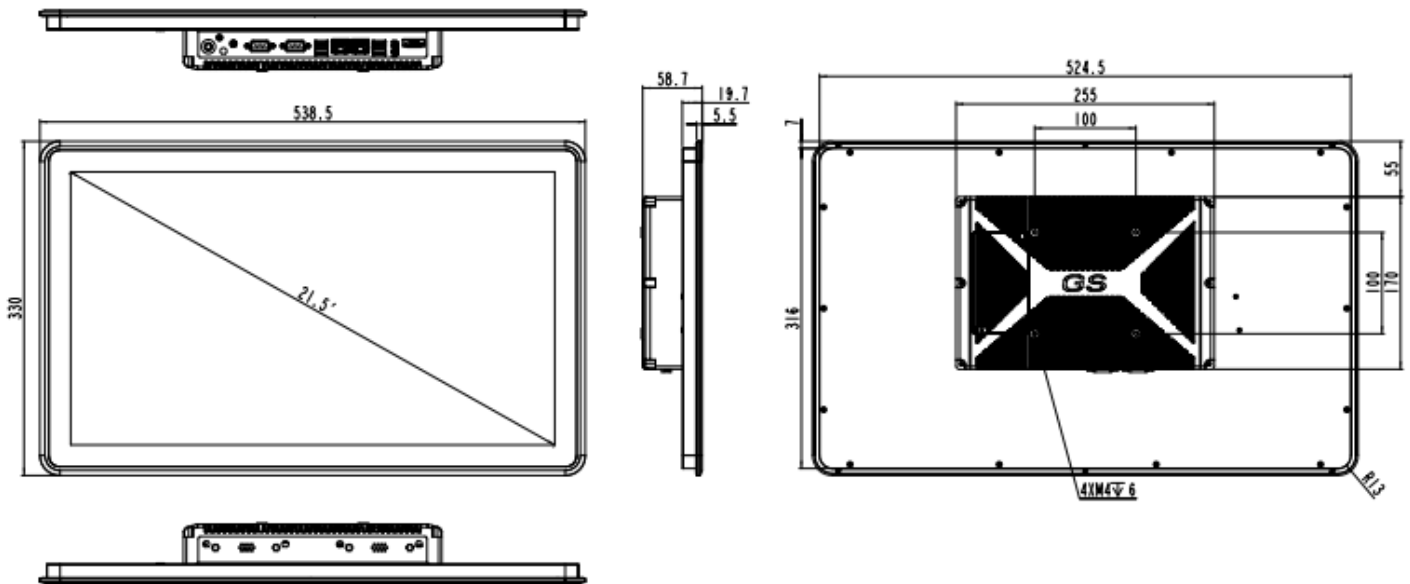
Environment

Vibration Protection	5-17Hz/1.0mm amplitude; 17-200Hz/1.0g acceleration	Operating Temp.	-10°C~55°C (wide temperature optional)
Shock Protection	10g acceleration, 11ms cycle	Storage Temp.	-30°C~70°C (wide temperature optional)
IP Rating	Front panel IP65	Humidity	95% @40°C, non-condensing

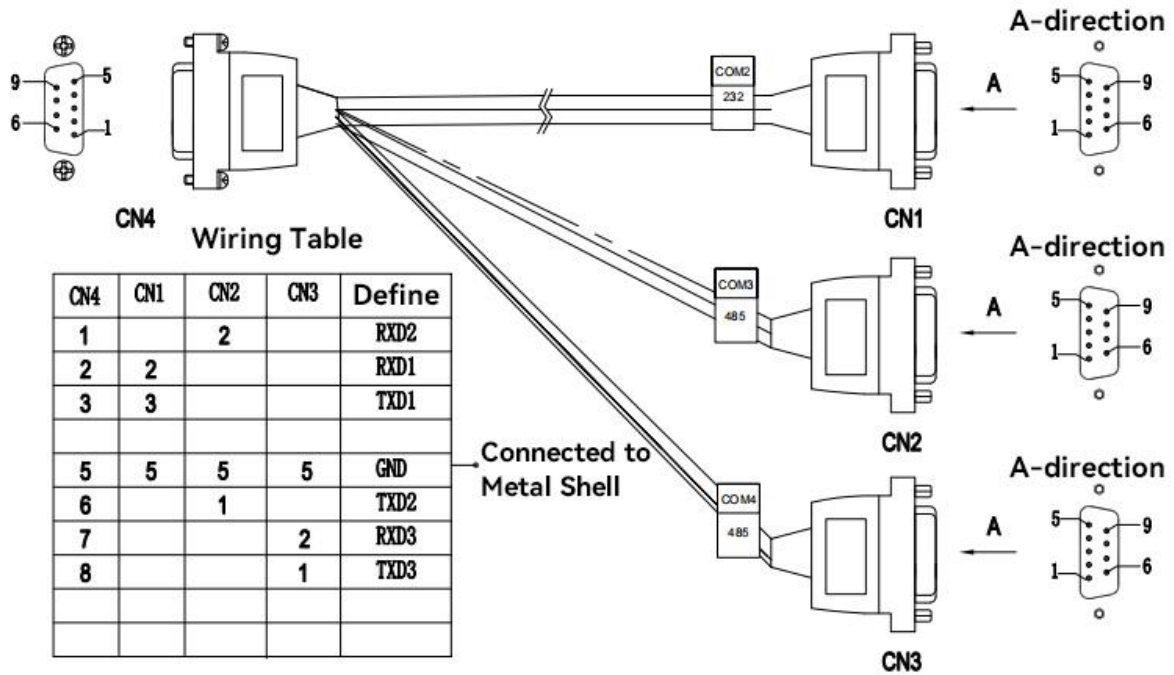
Mechanical

Dimension (WxHxD)	538.5*330*58.7mm	Material	Aluminum alloy
Weight	6.5kg	Mounting	VESA mounting: 100*100mm
Color	Silver		Embedded installation: 524.5*316mm

Dimensions:



COM2/COM3/COM4 (accessory: 1 out 3 serial port cable 1, part number 2.308.00140) is defined as follows: (COM1 is the standard definition, omitted)



COM2/COM3/COM4 (accessory: 1 out 3 serial port cable 2, part number 2.308.00104) is defined as follows: (COM1 is the standard definition, omitted)

